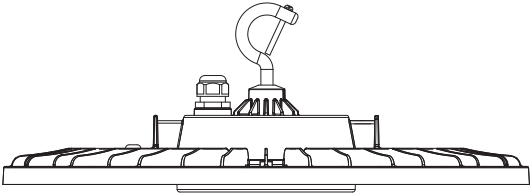
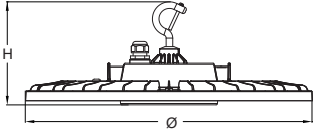
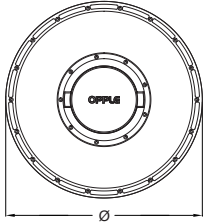


LED Highbay DALI

OPPLE

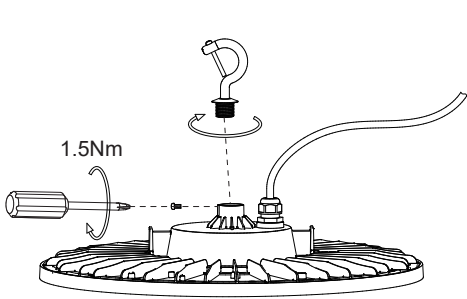
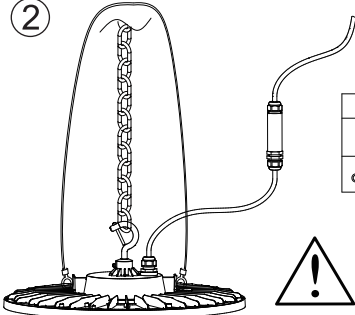
Version date 12-11-2018
www.opple.com

| Item Code | CCT | kg |
|--------------|-------|-------|
| 545001001300 | 4000K | 3.2kg |
| 545001001400 | 4000K | 3.2kg |
| 545001001500 | 4000K | 3.3kg |
| 545001001600 | 4000K | 3.3kg |

| Model | H (mm) | Ø (mm) |
|---------------------|--------|--------|
| LED HB-P4 155W DALI | 149 | 408 |
| LED HB-P4 230W DALI | 149 | 408 |

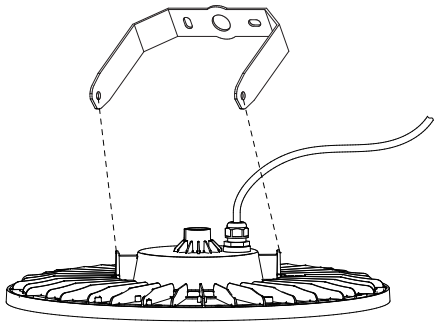
Hook

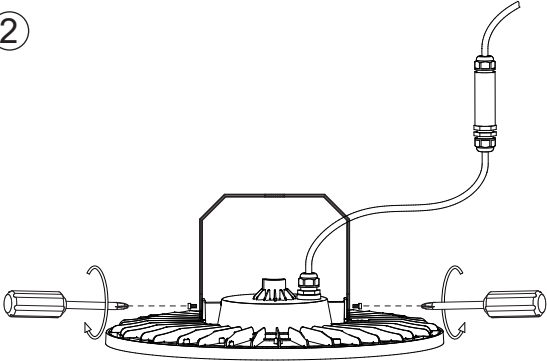
| Picture | Code | Specification |
|---------|------|---------------|
| | A | M8×20 |
| | B | Ø2.0×L1200 |

Warning: Install the additional safety wire (not included) to ensure a safe installation

Bracket (Available as accessory)

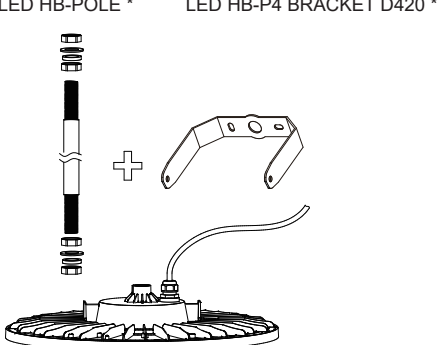


LED HB-P4 BRACKET D420 *



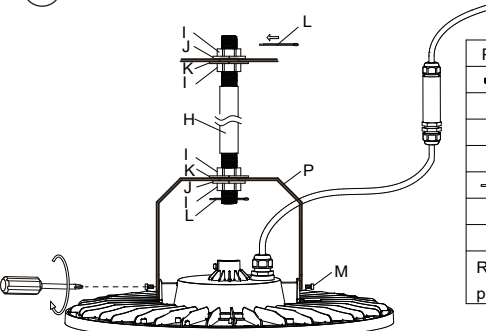
*ACCESSORY NOT INCLUDED IN THE PACKAGING

Pole (Available as accessory)



LED HB-POLE * LED HB-P4 BRACKET D420 *

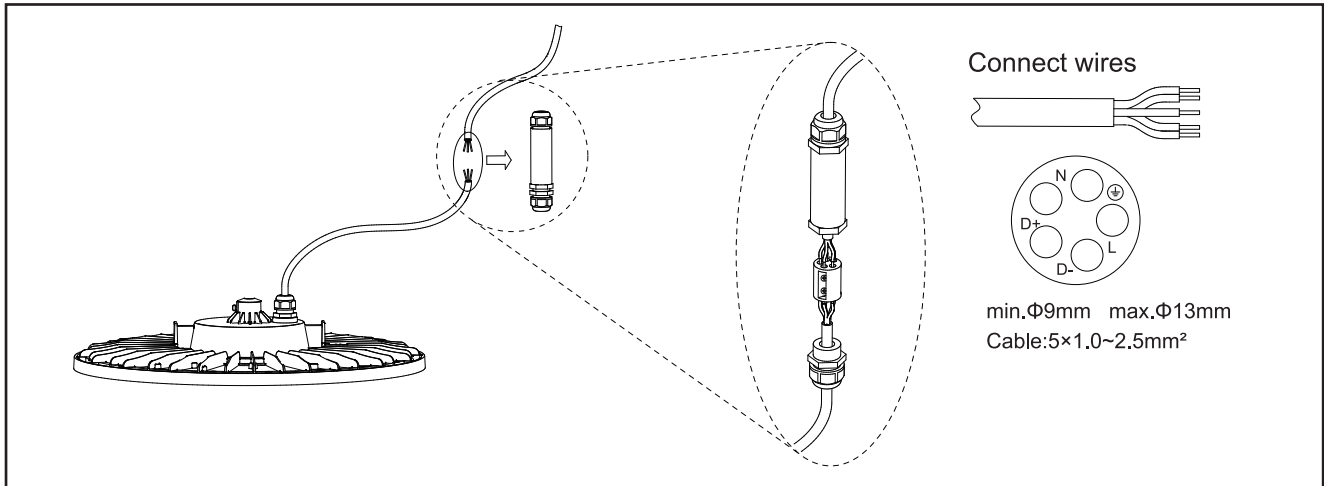
*ACCESSORY NOT INCLUDED IN THE PACKAGING



| Picture | Code | Specification |
|---------|------|---------------|
| | H | M20×2.5×L300 |
| | I | M20×2.5 |
| | J | M20 |
| | K | M20 |
| | L | Ø3×L30 |
| | M | M8×20 |
| | P | Bracket |

Remark: Not Included please purchase separately

IP68 Connection



In case of damage to the wires, it has to be replaced only by the manufacturer, distributor or an expert to avoid risks.

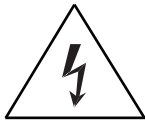
Zur Vermeidung von Risiken müssen defekte Leitungen ausschließlich vom Hersteller, Inverkehrbringer oder Fachmann ausgetauscht werden.

The external flexible cable or cord of this luminaire cannot be replaced; if the cord is damaged, the luminaire shall be destroyed.

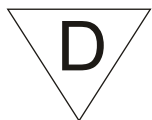


The luminaire should be positioned so that prolonged staring into the luminaire at a distance closer than 4 m is not expected.

Do not stare at the operating light source.



The light source of this luminaire is not replaceable; when the light source reaches its end of life the whole luminaire shall be replaced.



For use in environments where normal non-conductive/conductive dust accumulation may be expected, not for use in environments with expected high/unusual dust accumulation.

